

# SALPAUSSELÄN KISAT 5.-7.3.2004



Björn-Einar Romoeren  
Copyright FIS



## ERIKOISMÄENLASKU K 116 7.3.2004 LAHTI



Sijoitus Place	Nimi Name	Kansallisuus Nationality	Hyppy/m Jump/m	Pisteet Points
01	Romoeren Björn Einar	NOR	125,5 126,0	269,1
02	Ljøkelsoy Roar	NOR	126,0 122,5	265,7
03	Ahonen Janne	FIN	126,0 123,0	265,6
04	Ingebrigtsen Tommy	NOR	125,5 119,5	256,9
05	Spaeth Georg	GER	122,0 122,0	253,1
06	Herr Alexander	GER	122,0 121,5	251,7
07	Kiuru Tami	FIN	119,0 123,5	251,4
08	Ammann Simon	SUI	120,0 122,5	250,9
09	Kasai Noriaki	JPN	123,0 118,0	250,7
10	Hautamäki Matti	FIN	119,0 122,0	248,2
11	Pettersen Sigurd	NOR	119,0 122,0	247,7
12	Morgenstern Thomas	AUT	122,0 118,0	246,9
13	Miyahira Hideharu	JPN	119,0 119,5	244,2
14	Benkovic Rok	SLO	118,5 120,5	243,6
15	Bystoel Lars	NOR	118,5 118,5	240,0
16	Higasahi Akira	JPN	122,0 115,5	239,9
17	Happonen Janne	FIN	120,5 114,5	235,9
18	Zonta Peter	SLO	122,5 110,0	230,9
19	Loitzl Wolfgang	AUT	118,0 113,0	228,7
20	Uhrmann Michael	GER	123,5 118,5	227,5
21	Kokkonen Akseli	FIN	116,0 114,5	225,8
22	Eriksson Johan	SWE	117,5 113,5	225,7
23	Ito Daiki	JPN	115,5 114,5	224,9
24	Hautamäki Jussi	FIN	118,0 112,0	223,9
25	Bardal Anders	NOR	112,5 116,5	222,1
26	Lindström Veli-Matti	FIN	118,0 111,5	222,0

27	Janda	Jakub	CZE	112,5	114,0	220,6
28	Stensrud	Henning	NOR	115,5	111,5	218,0
29	Mechler	Maximilian	GER	116,0	110,0	215,7
30	Solem	Morten	NOR	112,0	109,0	207,2
31	Schwarzenberger	Reinhard	AUT	111,0		104,0
32	Peterka	Primož	SLO	111,0		103,5
33	Goldberger	Andreas	AUT	110,0		103,2
34	Chedal	Emmanuel	FRA	111,0		103,0
35	Funaki	Kazuyoshi	JPN	107,5		97,2
36	Ritzerfeld	Jörg	GER	105,5		92,1
37	Skupien	Wojciech	POL	103,5		88,5
38	Kofler	Andreas	AUT	103,0		87,6
39	Jones	Clint	USA	101,0		84,0
40	Damjam	Jernej	SLO	101,0		83,5
41	Lazzaroni	David	FRA	100,5		81,6
42	Matura	Jan	CZE	98,0		77,6
43	Mesik	Martin	SVK	98,0		77,1
44	Grimholm	Isak	SWE	96,5		73,4
45	Bachleda	Marcin	POL	95,0		71,7
46	Juris	Jan	EST	95,5		71,6
47	Anisimov	Maksim	BLR	95,0		70,2
48	Rutkowski	Mateusz	POL	93,5		64,0
49	Silaev	Alexey	RUS	90,0		61,2
50	Tahtahunov	Asan	KAZ	82,5		46,2

**"ruhrgas" FIS World Cup Ski-Jumping**  
27th FIS World Cup Competition  
Lahti



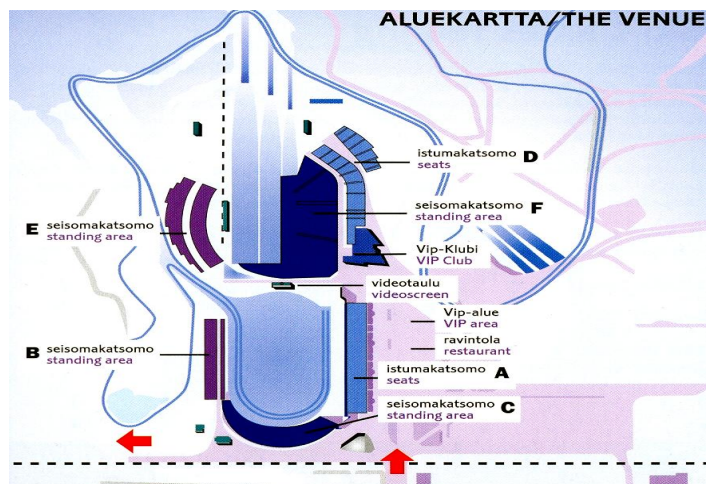
**LH Individual**  
**Official Results**

SUN 7 MAR 2004

Start Time: 14:45

Finish Time: 16:18

Jury / Competition Management			Judges			Hill Data	
Race Director	Hofer Walter	FIS	A	Slavik Josef	CZE	K-Point:	116 m
Technical Delegate	Happle Wolfgang	GER	B	Karjalainen Tuomo	FIN	Meter Value:	1.8 Points/m
Chief of Competition	Kuusinen Eero	FIN	C	Schmiederer Konrad	GER	Jury Distance:	128 m
Assistant TD	Zuehlke Reed	USA	D	Nybakken Vidar	NOR		
Assistant RD	Tepes Miran	FIS	E	Zuest Herbert	SUI		





FÉDÉRATION INTERNATIONALE DE SKI  
INTERNATIONAL SKI FEDERATION  
INTERNATIONALER SKI - VERBAND



No. 139 / FIN 13 1. Verlängerung

CERTIFICATE OF JUMPING HILL  
CERTIFICAT DE CONFORMITE  
SCHANZENPROFILBESTÄTIGUNG

Date of issue 25.5.2002  
Établi le  
Ausgestellt am

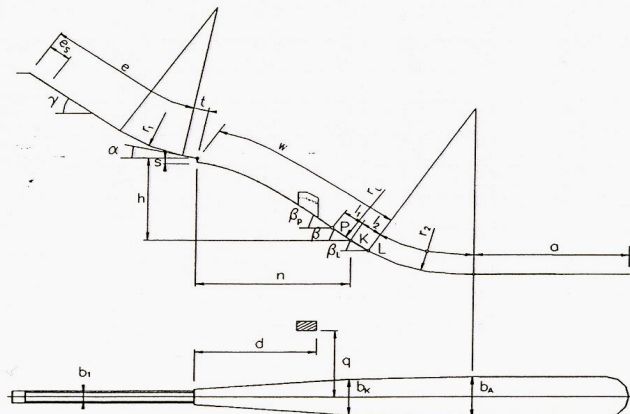
Valid till 31.12.2007  
Valable jusq' au  
Gültig bis

Place: Lahti

Name: Salpausselkä

W = 116 m h/n 0.567

Vo = 25.7m/s



e = 85.4 m  
e<sub>s</sub> = 10.7 m  
t = 6.43 m  
γ = 38.64 °  
α = 10.5 °  
r<sub>1</sub> = 95.55 m  
h = 56.93 m  
n = 100.41 m  
s = 3.41 m

l<sub>1</sub> = 16.04 m  
l<sub>2</sub> = 13.38 m  
a = 77.5 m  
β<sub>p</sub> = 37.7 °  
β = 34.7 °  
β<sub>L</sub> = 32.2 °  
r<sub>L</sub> = 306.15 m  
r<sub>2</sub> = 93.22 m

P = 100 m  
K = 116 m  
L = 129.5 m  
b<sub>1</sub> = 2.87 m  
b<sub>K</sub> = 23.37 m  
b<sub>A</sub> = 25 m  
d = 64.22 m  
q = 54.4 m

JUMPING HILL APPROVED BY THE FIS  
TREPLIN HOMOLOGUE PAR LA FIS  
DURCH DIE FIS GENEHMIGTE SPRUNGSCHANZE

SUB-COMMITTEE FOR JUMPING HILLS

CHAIRMAN:

*Handwritten signature*