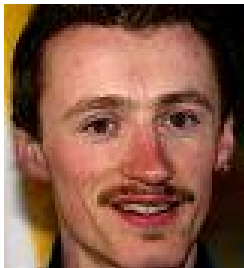


SALPAUSSELÄN KISAT 14.-16.3.2003



Adam Malysz
Copyright FIS



ERIKOISMÄENLASKU K 116 14.3.2003 LAHTI



| Sijoitus Place | Nimi Name | | Kansallisuus Nationality | Hyppy/m Jump/m | Pisteet Points | |
|-------------------|-----------------|------------|-----------------------------|-------------------|-------------------|-------|
| 01 | Malysz | Adam | POL | 122,0 | 128,0 | 267,4 |
| 02 | Hautamäki | Matti | FIN | 119,5 | 128,5 | 262,8 |
| 03 | Hannawald | Sven | GER | 117,0 | 123,0 | 248,4 |
| 04 | Kiuru | Tami | FIN | 117,5 | 121,5 | 247,1 |
| 05 | Höllwarth | Martin | AUT | 114,5 | 118,5 | 233,3 |
| 06 | Kasai | Noriaki | JPN | 113,0 | 120,5 | 232,2 |
| 07 | Ingebrigtsen | Tommy | NOR | 114,5 | 119,0 | 230,2 |
| 08 | Schmitt | Martin | GER | 111,5 | 121,0 | 227,9 |
| 09 | Morgenstern | Thomas | AUT | 114,0 | 114,0 | 222,3 |
| 10 | Uhrmann | Michael | GER | 111,5 | 116,0 | 221,4 |
| 11 | Stensruud | Henning | NOR | 111,0 | 116,5 | 220,4 |
| 12 | Happonen | Janne | FIN | 111,0 | 115,5 | 219,6 |
| 13 | Kranjec | Robert | SLO | 110,5 | 116,0 | 218,6 |
| 14 | Liegl | Florian | AUT | 110,5 | 117,0 | 216,9 |
| 15 | Miyahira | Hideharu | JPN | 105,5 | 118,0 | 214,2 |
| 16 | Janda | Jakub | CZE | 105,5 | 116,5 | 212,5 |
| 17 | Ahonen | Janne | FIN | 106,0 | 116,0 | 210,0 |
| 18 | Kokkonen | Akseli | FIN | 108,5 | 112,0 | 205,8 |
| 19 | Lappi | Arttu | FIN | 106,0 | 114,0 | 204,9 |
| 20 | Thurnbichler | Stefan | AUT | 105,0 | 113,0 | 203,3 |
| 21 | Chedal | Emmanuel | FRA | 104,0 | 114,5 | 200,2 |
| 22 | Nagiller | Christian | AUT | 106,5 | 110,5 | 198,5 |
| 23 | Lindström | Veli-Matti | FIN | 105,5 | 112,5 | 198,3 |
| 24 | Schwarzenberger | Reinhard | AUT | 104,5 | 111,5 | 197,2 |
| 25 | Ylijärvi | Janne | FIN | 105,0 | 111,5 | 195,6 |
| 26 | Zonta | Peter | SLO | 105,5 | 108,5 | 193,1 |

| | | | | | | |
|----|-------------|-------------|-----|-------|-------|-------|
| 27 | Peterka | Primoz | SLO | 106,0 | 107,5 | 192,7 |
| 28 | Keituri | Kalle | FIN | 105,0 | 108,5 | 190,2 |
| 29 | Ljökelsøy | Roar | NOR | 105,0 | 107,0 | 190,0 |
| 30 | Funaki | Kazuyoshi | JPN | 103,5 | 103,5 | 181,5 |
| 31 | Jones | Clint | USA | 102,5 | | 88,2 |
| 32 | Cecon | Roberto | ITA | 102,5 | | 86,7 |
| 33 | Duffner | Christof | GER | 101,5 | | 85,4 |
| 34 | Jussilainen | Risto | FIN | 101,5 | | 84,9 |
| 35 | Alborn | Alan | USA | 101,0 | | 83,5 |
| 36 | Forfang | Daniel | NOR | 100,5 | | 82,6 |
| 37 | Herr | Alexander | GER | 99,0 | | 79,9 |
| 38 | Benkovic | Rok | SLO | 98,5 | | 74,0 |
| 39 | Kofler | Andreas | AUT | 96,0 | | 73,5 |
| 39 | Spaeth | Georg | GER | 96,0 | | 73,5 |
| 41 | Neumayer | Michael | GER | 97,0 | | 71,8 |
| 42 | Romoeren | Björn Einar | NOR | 95,0 | | 71,7 |
| 43 | Ammann | Simon | SUI | 94,0 | | 69,4 |
| 43 | Dessum | Nicolas | FRA | 94,0 | | 69,4 |
| 45 | Takano | Teppeï | JPN | 95,5 | | 69,1 |
| 46 | Matura | Jan | CZE | 92,5 | | 67,2 |
| 47 | Widhölzl | Andreas | AUT | 94,5 | | 66,8 |
| 48 | Bardal | Anders | NOR | 95,0 | | 66,7 |
| 49 | Pettersen | Sigurd | NOR | 86,0 | | 52,5 |
| 50 | Fras | Damjan | SLO | 85,0 | | 46,2 |

"ruhrgas" FIS World Cup Ski-Jumping

25th World Cup Competition
Lahti



Ski-Jumping Individual K116

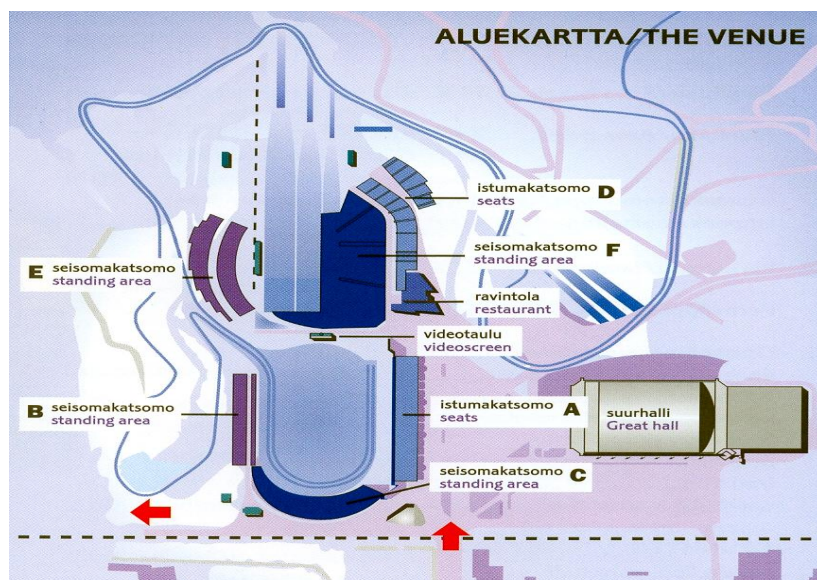
FRI 14 MAR 2003

Start Time: 18:31

Finish Time: 20:00

Official Results

| Jury / Competition Management | | | Judges | | | Hill Data | |
|-------------------------------|------------------|-----|--------|---------------------|-----|----------------|--------------|
| Race Director | Hofer Walter | FIS | A | Lindquist Anders | SWE | K-Point: | 116 m |
| Technical Delegate | Dalle Ave Sandro | ITA | B | Trachsel William | FRA | Meter Value: | 1.8 Points/m |
| Chief of Competition | Kuusinen Eero | FIN | C | Reinikainen Ari | FIN | Jury Distance: | 128 m |
| Assistant TD | Westmann Magnus | SWE | D | Skolbekken Dagfinn | NOR | | |
| Assistant RD | Tepes Miran | FIS | E | Linsinger Sebastian | AUT | | |





No. 139 / FIN 13 1. Verlängerung

**CERTIFICATE OF JUMPING HILL
CERTIFICAT DE CONFORMITE
SCHANZENPROFILBESTÄTIGUNG**

Date of issue 25.5.2002
Établi le
Ausgestellt am

Valid till 31.12.2007
Valable jusqu' au
Gültig bis

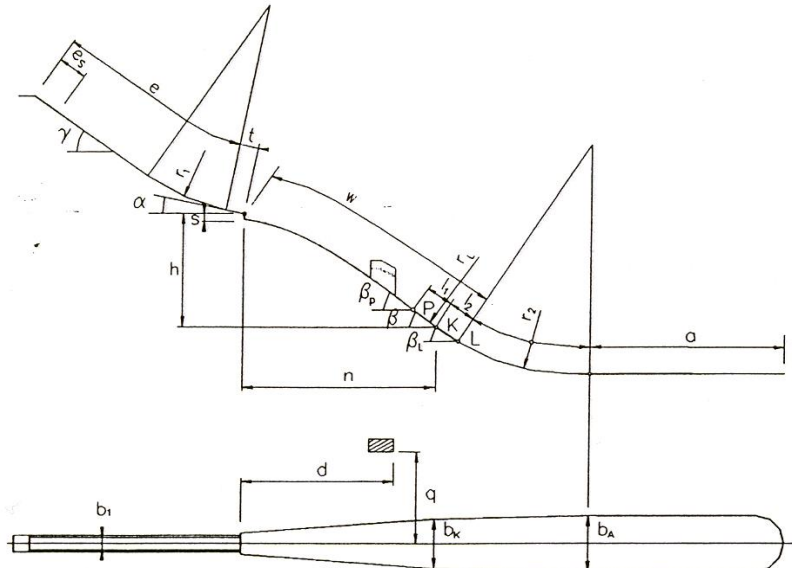
Place: Lahti

Name: Salpausselkä

W = 116 m

h/n 0.567

Vo = 25.7m/s



| | | |
|------------------------|------------------------|-----------------|
| e = 85.4 m | $l_1 = 16.04$ m | P = 100 m |
| $e_s = 10.7$ m | $l_2 = 13.38$ m | K = 116 m |
| t = 6.43 m | a = 77.5 m | L = 129.5 m |
| $\gamma = 38.64^\circ$ | $\beta_p = 37.7^\circ$ | $b_1 = 2.87$ m |
| $\alpha = 10.5^\circ$ | $\beta = 34.7^\circ$ | $b_K = 23.37$ m |
| $r_1 = 95.55$ m | $\beta_L = 32.2^\circ$ | $b_A = 25$ m |
| h = 56.93 m | $r_L = 306.15$ m | d = 64.22 m |
| n = 100.41 m | $r_2 = 93.22$ m | q = 54.4 m |
| s = 3.41 m | | |

JUMPING HILL APPROVED BY THE FIS
TREMPLEIN HOMOLOGUE PAR LA FIS
DURCH DIE FIS GENEHMIGTE SPRUNGSCHANZE

SUB-COMMITTEE FOR JUMPING HILLS

CHAIRMAN:

Heinrich