



Ski Jumping Team



JOUKKUEMÄKI HS 130
5.3.2005 LAHTI



LAHTI SKI GAMES



Sijoitus Place	Kansallisuus Nationality	Nimi Name		Hyppy/m Jump/m	Pisteet Points	Total points
01	Norway	Romoeren	Björn Einar	122,5	124,0	252,1 1013,7
		Stensrud	Henning	120,0	122,0	
		Forfang	Daniel	122,5	120,5	
		Ljøkelsoy	Roar	125,0	128,0	
02	Finland	Hautamäki	Jussi	115,5	116,5	224,0 986,7
		Jussilainen	Risto	116,5	121,5	
		Hautamäki	Matti	125,0	127,0	
		Ahonen	Janne	126,0	121,5	
03	Austria	Loitzl	Wolfgang	118,0	123,0	244,2 965,2
		Liegl	Florian	115,0	118,0	
		Morgenstern	Thomas	118,0	123,0	
		Höllwarth	Martin	120,0	122,0	
04	Germany	Neumayer	Michael	116,0	122,0	234,8 958,8
		Schmitt	Martin	118,0	117,5	
		Uhrmann	Michael	123,9	135,8	
		Spaeth	Georg	116,1	116,9	



05	Slovenia	Peterka	Primož	114,5	119,0	228,2	935,9
		Kranjec	Robert	114,5	115,0	212,5	
		Damjam	Jernej	123,5	123,0	255,1	
		Benkovic	Rok	122,0	119,5	240,1	
06	Russia	Fatchullin	Ildar	116,0	120,0	233,7	852,1
		Ipatov	Dimitry	106,0	107,5	186,2	
		Kornilov	Denis	121,0	109,0	213,4	
		Vassiliev	Dmitri	114,0	116,5	218,8	
07	Japan	Miyahira	Hideharu	108,0	103,0	183,7	847,6
		Funaki	Kazuyoshi	113,0	118,0	221,4	
		Ito	Daiki	117,0	115,5	224,9	
		Kasai	Noriaki	112,0	116,0	217,8	
08	Poland	Mateja	Robert	108,0	112,5	199,8	802,5
		Stoch	Kamil	97,5	109,0	172,6	
		Bachleda	Marcin	110,0	100,0	180,4	
		Malysz	Adam	120,5	123,0	249,7	
09	Estonia	Juris	Jan	87,0			157,7
		Salumae	Jens	111,5			
		Malts	Egert	DSQ			
		Pearn	Illimar	DSQ			



"e.on ruhrgas" FIS World Cup Ski-Jumping

3rd FIS World Cup Team Competition

Lahti



Large Hill Team

SAT 5 MAR 2005

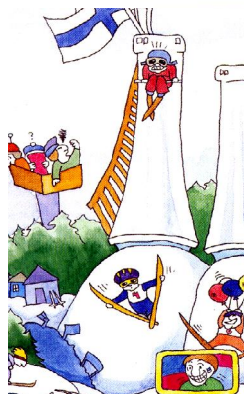
Official Results

Start Time: 17:17

Finish Time: 18:47

Jury / Competition Management			Judges			Hill Data	
Race Director (RD)	Hofer Walter	FIS	A	Junnonen Tapio	FIN	Hill Size (HS):	130 m
Technical Delegate (TD)	Zuehlke Reed	USA	B	Solbu Jarle	NOR	K-Point:	116 m
Chief of Competition	Kuusinen Eero	FIN	C	Stattmann Peter	AUT	Meter Value:	1.8 Points/m
Assistant TD	Aigmuller Gert	AUT	D	Szostak Tadeusz	POL		
Assistant RD	Tepes Miran	FIS	E	Nakamura Mitsushi	JPN		

Weather Information								
	Time	Weather	Temp.[°C]		Humid. [%]	Wind[m/s]		
			Air	Snow		min.	max.	Avg.
1st Round	17:17 - 17:52	Clear	-5.0	-5.1	74	0.5	2.1	1.3
Final Round	18:15 - 18:47	Clear	-6.0	-5.7	75	0.3	2.3	1.2





MÄKIPROFIILIT



HILL PROFILES



FÉDÉRATION INTERNATIONALE DE SKI
INTERNATIONAL SKI FEDERATION
INTERNATIONALER SKI - VERBAND



No. 139 / FIN 13 1. Verlängerung

CERTIFICATE OF JUMPING HILL CERTIFICAT DE CONFORMITE SCHANZENPROFILBESTÄTIGUNG

Date of issue 25.5.2002
Établi le
Ausgestellt am

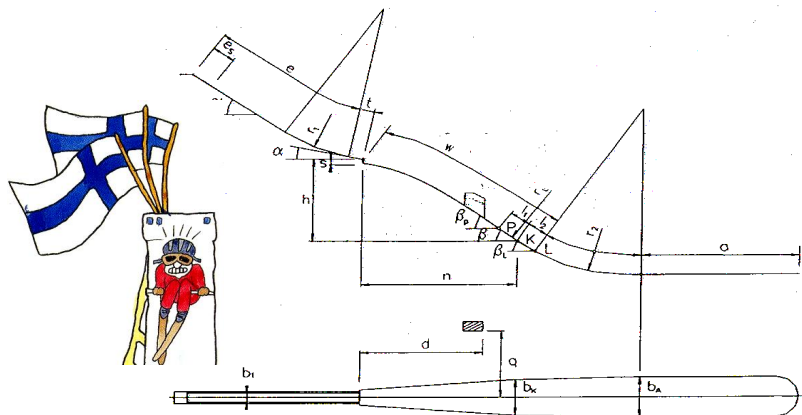
Valid till 31.12.2007
Valable jusq' au
Gültig bis

Place: Lahti

Name: Salpausselkä

W = 116 m h/n 0.567

Vo = 25



e = 85.4 m
e_s = 10.7 m
t = 6.43 m
γ = 38.64°
α = 10.5°
r₁ = 95.55 m
h = 56.93 m
n = 100.41 m
s = 3.41 m

l₁ = 16.04 m
l₂ = 13.38 m
a = 77.5 m
β_p = 37.7°
β = 34.7°
β_L = 32.2°
r_L = 306.15 m
r₂ = 93.22 m

P = 100 m
K = 116 m
L = 129.5 m
b₁ = 2.87 m
b_K = 23.37 m
b_A = 25 m
d = 64.22 m
q = 54.4 m

JUMPING HILL APPROVED BY THE FIS
TREMPLEIN HOMOLOGUE PAR LA FIS
DURCH DIE FIS GENEHMIGTE SPRUNGSCHANZE

SUB-COMMITTEE FOR JUMPING HILLS

CHAIRMAN:

hempe