

SALPAUSSELÄN 2000

KISAT 3.-5.3.2000



Ski Jumping Team



JOUKKUE MÄKI K 116 4.3.2000 LAHTI



Copyright FIS

Sijoitus Kansallisuus
Place Nationality

Nimi
Name



Hyppy/m
Jump/m

Pisteet
Points

Total
Points

01	Finland	Jussilainen	Risto	115,0	120,5	236,3	922,8
		Kantee	Ville	123,5	85,5	187,1	
		Soininen	Jani	121,5	115,0	241,1	
		Ahonen	Janne	123,0	122,5	258,3	
02	Austria	Goldberger	Andreas	127,0	124,5	262,6	894,7
		Horngacher	Stefan	113,5	100,5	193,6	
		Höllwarth	Martin	98,0	118,0	197,7	
		Widhölzl	Andreas	115,5	122,5	240,8	
03	Germany	Uhrmann	Michael	124,0	107,0	228,2	824,3
		Loeffler	Frank	116,5	107,0	228,3	
		Hannawald	Sven	105,0	106,5	189,1	
		Schmitt	Martin	116,0	113,0	222,6	
04	Norway	Ljøkelsoy	Roar	116,5	108,5	216,4	807,9
		Stensruud	Henning	113,0	99,0	191,0	
		Ottesen	Lasse	121,0	114,5	235,3	
		Ingebrigtsen	Tommy	101,0	100,0	165,2	
05	Japan	Funaki	Kazuyoshi	119,5	109,0	226,7	806,5
		Miyahira	Hideharu	114,5	83,0	163,9	
		Kasai	Noriaki	121,5	117,0	243,7	
		Harada	Masahiko	101,0	100,0	172,2	

06	Slovenia	Fras	Damjan	102,5	102,5	176,9	612,0
		Zonta	Peter	110,5	100,0	188,3	
		Kaligaro	Rolando	80,0	76,0	82,7	
		Norcic	Bine	101,5	97,5	164,1	
07	Poland	Sliwka	Grzegorz	105,5	93,0	163,7	593,1
		Mateja	Robert	98,5	85,5	137,6	
		Malysz	Adam	93,0	91,0	134,6	
		Skupien	Wojciech	92,0	104,0	157,2	
08	Switzerland	Kuettel	Andreas	100,5	90,5	147,7	522,9
		Steinauer	Marco	89,5	86,5	119,7	
		Freiholz	Sylvain	86,5	98,5	137,9	
		Reuteler	Bruno	94,0	80,0	117,6	
09	Kazakhstan	Filimonov	Stanislav	92,5	85,5	123,8	450,2
		Polunin	Maxim	82,0	99,0	129,7	
		Gaiduk	Pawel	89,5	70,0	90,0	
		Korobov	Alexander	93,5	75,0	106,7	
10	Russia	Fatchullin	Ildar	87,5	79,5	105,0	446,9
		Kalinitshenko	Anton	76,0	86,0	93,0	
		Vassiliev	Dmitri	103,5	76,0	121,9	
		Fadeev	Alexei	90,0	90,0	127,9	

"ruhrgas" FIS World Cup Ski-Jumping

2nd World Cup Competition - Team

Official Result Jumping



ahti (FIN) Salpausselkæ K 116

March 4th 2000

Starting time: 19.05 Finish time: 20.45

Jury / Competition Management			Judges			Hill Data	
Race Director	Hofer, Walter	FIS	- A - Niskakari, Heimo	FIN	K-Point:	116.0 m	
Technical Delegate	Nordby, Torgeir	NOR	- B - Colby, James	USA	meter value:	1.8 Points/m	
Chief of Competition	Kuusinen, Eero	FIN	- C - Egloff, Ernst	SUI	jury distance:	130.0 m	
Assistant RD	Tepes, Miran	FIS	- D - Feuchtenberger, Roif	GER	WC Comp. rec.:	127.0 m 02.03.96	
Assistant TD	Pertile, Sandro	ITA	- E - Lie, Amund	NOR	Harada (JPN), Peterka (SLO)		



MÄKIPROFIILIT



HILL PROFILES



**FÉDÉRATION INTERNATIONALE DE SKI
INTERNATIONAL SKI FEDERATION
INTERNATIONALER SKI - VERBAND**



No.

139 / FIN 13

4. Korrektur

CERTIFICATE OF JUMPING HILL CERTIFICAT DE CONFORMITE SCHANZENPROFILBESTÄTIGUNG

Date of issue
Établi le
Ausgestellt am

26.1.1998

Valid till
Valable jusq' au
Gültig bis

31.12.2002

Place:

Lahti

Name:

Salpausselkä

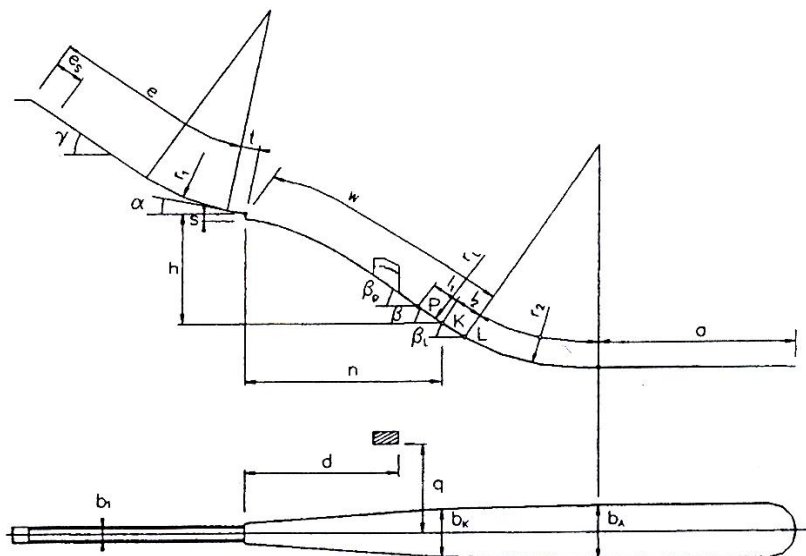
W =

116 m

$h/n = 0.567$

$V_0 =$

25.7m/s



$e = 85.4$ m
 $e_s = 10.7$ m
 $t = 6.43$ m
 $\gamma = 38.64^\circ$
 $\alpha = 10.5^\circ$
 $r_1 = 95.55$ m
 $h = 56.93$ m
 $n = 100.41$ m
 $s = 3.41$ m

$l_1 = 16.04$ m
 $l_2 = 13.38$ m
 $a = 77.5$ m
 $\beta_p = 37.7^\circ$
 $\beta = 34.7^\circ$
 $\beta_L = 32.2^\circ$
 $r_L = 306.15$ m
 $r_2 = 93.22$ m

$P = 100$ m
 $K = 116$ m
 $L = 129.5$ m
 $b_1 = 2.87$ m
 $b_K = 23.37$ m
 $b_A = 25$ m
 $d = 64.22$ m
 $q = 54.4$ m

JUMPING HILL APPROVED BY THE FIS
TREPLIN HOMOLOGUE PAR LA FIS
DURCH DIE FIS GENEHMIGTE SPRUNGSCHANZE

SUB-COMMITTEE FOR JUMPING HILLS

CHAIRMAN: