

SALPAUSSELÄN KISAT 1.-3.3.2002



Copyright FIS

Ski Jumping

Team



JOUKKUE MÄKI K 116 2.3.2002 LAHTI

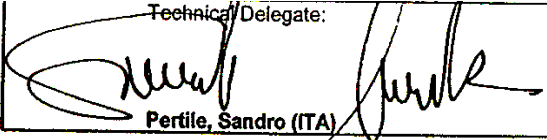
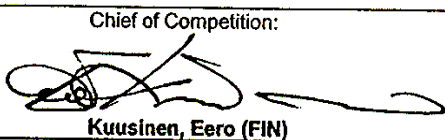


Sijoitus Place	Kansallisuus Nationality	Nimi Name		Hyppy/m Jump/m	Pisteet Points	Total points	
01	Finland	Hautamäki	Matti	120,5	127,5	259,8	1022,6
		Lindström	Veli-Matti	123,0	123,5	258,1	
		Jussilainen	Risto	118,0	121,5	244,5	
		Ahonen	Janne	123,5	122,5	260,2	
02	Slovenia	Peterka	Primoz	111,5	120,5	229,5	974,3
		Medved	Igor	119,5	122,5	249,0	
		Kranjec	Robert	125,0	126,0	267,7	
		Zonta	Peter	117,5	114,0	228,1	
03	Germany	Duffner	Christof	116,0	118,0	230,1	953,5
		Hocke	Stephan	108,0	118,0	214,2	
		Uhrmann	Michael	118,5	122,5	244,7	
		Schmitt	Martin	127,0	122,5	264,5	
04	Austria	Hormgacher	Stefan	108,0	110,5	199,7	906,7
		Koch	Martin	119,5	122,0	247,6	
		Höllwarth	Martin	116,5	123,5	246,4	
		Widhölzl	Andreas	116,0	108,5	213,0	
05	Norway	Romoeren	Björn Einar	108,0	116,5	213,0	857,4
		Bystoel	Lars	111,0	112,0	209,3	
		Ljökelsøy	Roar	114,0	111,0	212,9	
		Bardal	Anders	115,5	113,0	222,2	

06	Japan	Higasahi	Akira	109,0	114,5	213,2	855,1
		Yamada	Hiroki	106,0	105,0	186,7	
		Miyahira	Hideharu	115,0	115,5	230,5	
		Funaki	Kazuyoshi	112,5	116,0	224,7	
07	Poland	Tajner	Tomislaw	100,0	107,0	178,0	840,3
		Bachhleda	Marcin	110,0	109,5	204,5	
		Pochwala	Tomasz	106,0	106,0	189,0	
		Malysz	Adam	125,5	125,0	268,8	
08	France	Chedal	Emmanuel	91,5	103,5	150,9	708,1
		Santiago	Remi	113,5	116,0	222,0	
		Amould	Kevin	100,0	96,0	157,2	
		Dessum	Nicolas	104,0	103,0	178,0	

Jury / Competition Management			Judges			Hill Data		
Race Director	Hofer, Walter	FIS	A	Hess, Bernd	GER	K-Point:	116 m	
Technical Delegate	Pertile, Sandro	ITA	B	Normann, Sigboern	NOR	Meter Value:	1.8 Points/m	
Chief of Competition	Kuusinen, Eero	FIN	C	Nadarkiewicz, Edward	POL	Jury Distance:	128 m	
Assistant TD	Norcic, Bogdan	SLO	D	Takahata, Yoshihiro	JPN			
Assistant RD	Tepes, Miran	FIS	E	Nieminen, Teppo	FIN			

Weather Information									
	Time	Weather	Temp.[°C]		Humid. [%]	Wind[m/s]			
			Air	Snow		min.	max.	Avg.	
1st Round	19:01 - 19:33	Partly Cloudy	-0.2	-3.0	70	0.2	1.1	0.6	
Final Round	19:57 - 20:30	Partly Cloudy	-0.2	-3.0	70	0.1	0.9	0.5	

Technical Delegate:  Pertile, Sandro (ITA)	Chief of Competition:  Kuusinen, Eero (FIN)
--	--



MÄKIPROFIILIT



HILL PROFILES



**FÉDÉRATION INTERNATIONALE DE SKI
INTERNATIONAL SKI FEDERATION
INTERNATIONALER SKI - VERBAND**



No.

139 /FIN 13

4.Korrektur

**CERTIFICATE OF JUMPING HILL
CERTIFICAT DE CONFORMITE
SCHANZENPROFILBESTÄTIGUNG**

Date of issue 26.1.1998
Établi le
Ausgestellt am

Valid till 31.12.2002
Valable jusqu' au
Gültig bis

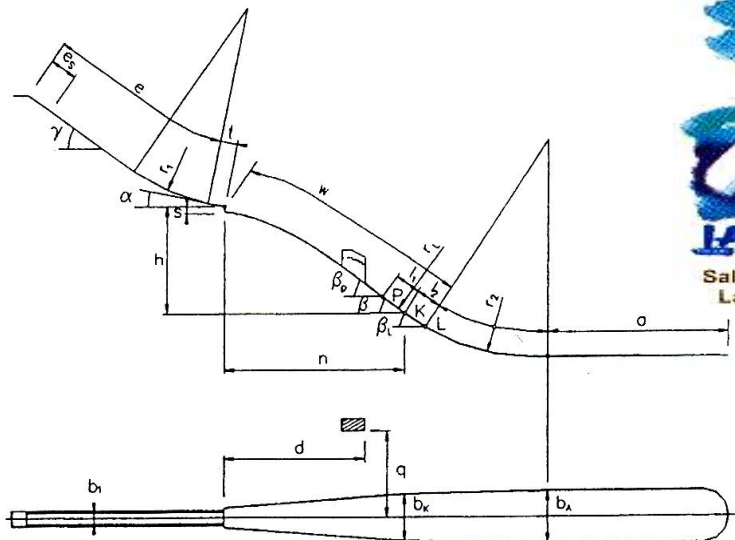
Place: Lahti

Name: Salpausselkä

W = 116 m

h/n = 0.567

Vo = 25.7m/s



e = 85.4 m
e_s = 10.7 m
t = 6.43 m
γ = 38.64 °
α = 10.5 °
r₁ = 95.55 m
h = 56.93 m
n = 100.41 m
s = 3.41 m

l₁ = 16.04 m
l₂ = 13.38 m
a = 77.5 m
β_p = 37.7 °
β = 34.7 °
β_L = 32.2 °
r_L = 306.15 m
r₂ = 93.22 m

P = 100 m
K = 116 m
L = 129.5 m
b₁ = 2.87 m
b_K = 23.37 m
b_A = 25 m
d = 64.22 m
q = 54.4 m

JUMPING HILL APPROVED BY THE FIS
TREPLIN HOMOLOGUE PAR LA FIS
DURCH DIE FIS GENEHMIGTE SPRUNGSCHANZE

SUB-COMMITTEE FOR JUMPING HILLS

CHAIRMAN: