

SALPAUSSELÄN KISAT 5.-7.3.2004



Ski Jumping

Team



JOUKKUE MÄKI K 116
6.3.2004 LAHTI



Sijoitus Kansallisuus
Place Nationality

Nimi
Name



Hyppy/m
Jump/m

Pisteet Total
Points points

01	Norway	Romoeren	Björn Einar	123,0	128,0	268,2	1073,7
		Pettersen	Sigurd	127,0	127,0	273,6	
		Ingebrigtsen	Tommy	127,0	124,5	268,6	
		Ljökelsøy	Roar	126,5	121,5	263,3	
02	Finland	Kiuru	Tami	120,0	123,5	254,7	1032,1
		Kokkonen	Akseli	123,0	120,0	254,8	
		Hautamäki	Matti	122,0	123,5	258,8	
		Ahonen	Janne	125,5	122,5	263,8	
03	Japan	Higasahi	Akira	120,0	120,5	246,8	983,3
		Ito	Daiki	121,5	119,0	246,8	
		Miyahira	Hideharu	120,5	115,0	236,8	
		Kasai	Noriaki	121,0	121,5	252,9	
04	Germany	Uhrmann	Michael	118,0	120,5	241,7	969,3
		Schmitt	Martin	121,0	119,0	246,4	
		Spaeth	Georg	122,5	125,0	260,4	
		Herr	Alexander	115,5	112,5	220,8	

05	Austria	Widhölzl	Andreas	110,5	107,0	200,4	921,8
		Loitzl	Wolfgang	120,5	119,5	249,9	
		Kofler	Andreas	118,0	113,5	230,1	
		Morgenstern	Thomas	121,5	116,0	241,4	
06	Slovenia	Peterka	Primoz	107,5	115,5	210,8	879,1
		Kranjec	Robert	111,5	105,5	200,0	
		Benkovic	Rok	120,5	119,0	243,5	
		Zonta	Peter	117,0	113,5	224,8	
07	France	Dessum	Nicolas	104,5	110,0	210,8	755,5
		Santiago	Remi	100,5	103,5	170,1	
		Lazzaroni	David	108,5	101,0	183,5	
		Chedal	Emmanuel	112,0	113,0	210,4	
08	Sweden	Westberg	Emil	85,5	86,5	108,0	649,8
		Aren	Andreas	100,0	99,5	161,0	
		Grimholm	Isak	104,0	98,0	183,5	
		Eriksson	Johan	111,5	114,0	214,8	
09	Estonia	Salumae	Jens	103,5		88,5	246,0
		Juris	Jan	102,5		86,2	
		Pikkor	Tambet	77,5		37,7	
		Tasane	Vahur	75,5		34,1	

Anna jäljittelemättömän Salppuri-tunnelman viedä!



ruhrgas

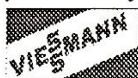
"ruhrgas" FIS World Cup Ski-Jumping

26th FIS World Cup Competition

Lahti

FIS

presented by



LH Team

Official Results



SAT 6 MAR 2004

Start Time: 17:15

Finish Time: 18:47

Jury / Competition Management			Judges			Hill Data	
Race Director	Hofer Walter	FIS	A	Karjalainen Tuomo	FIN	K-Point:	116 m
Technical Delegate	Happle Wolfgang	GER	B	Nybakken Vidar	NOR	Meter Value:	1.8 Points/m
Chief of Competition	Kuusinen Eero	FIN	C	Zuest Herbert	SUI	Jury Distance:	128 m
Assistant TD	Zuehlke Reed	USA	D	Slavik Josef	CZE		
Assistant RD	Tepes Miran	FIS	E	Schmiederer Konrad	GER		

Weather Information									
	Time	Weather	Temp.[°C]		Humid. [%]	Wind[m/s]			
			Air	Snow		min.	max.	Avg.	
1st Round	17:15 - 17:50	Clear	-4.5	-4.3	33	0.3	1.1	0.7	
Final Round	18:15 - 18:47	Partly Cloudy	-5.2	-4.8	35	0.6	1.5	1.0	

Technical Delegate:  Happle Wolfgang (GER)	Chief of Competition:  Kuusinen Eero (FIN)
---	--

MÄKIPROFIILIT



HILL PROFILES



FÉDÉRATION INTERNATIONALE DE SKI
INTERNATIONAL SKI FEDERATION
INTERNATIONALER SKI - VERBAND



No. 139 / FIN 13 1. Verlängerung

CERTIFICATE OF JUMPING HILL CERTIFICAT DE CONFORMITE SCHANZENPROFILBESTÄTIGUNG

Date of issue 25.5.2002
Établi le
Ausgestellt am

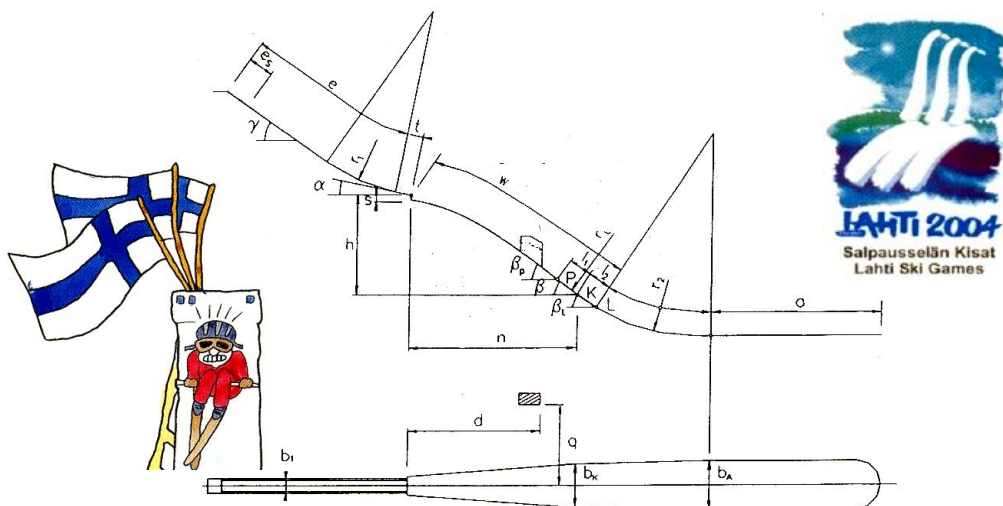
Valid till 31.12.2007
Valable jusq' au
Gültig bis

Place: Lahti

Name: Salpausselkä

W = 116 m h/n 0.567

Vo = 25.7m/s



e = 85.4 m
e_s = 10.7 m
t = 6.43 m
γ = 38.64 °
α = 10.5 °
r₁ = 95.55 m
h = 56.93 m
n = 100.41 m
s = 3.41 m

l₁ = 16.04 m
l₂ = 13.38 m
a = 77.5 m
β_p = 37.7 °
β = 34.7 °
β_L = 32.2 °
r_L = 306.15 m
r₂ = 93.22 m

P = 100 m
K = 116 m
L = 129.5 m
b₁ = 2.87 m
b_K = 23.37 m
b_A = 25 m
d = 64.22 m
q = 54.4 m

JUMPING HILL APPROVED BY THE FIS
TREPLIN HOMOLOGUE PAR LA FIS
DURCH DIE FIS GENEHMIGTE SPRUNGSCHANZE

SUB-COMMITTEE FOR JUMPING HILLS
CHAIRMAN: